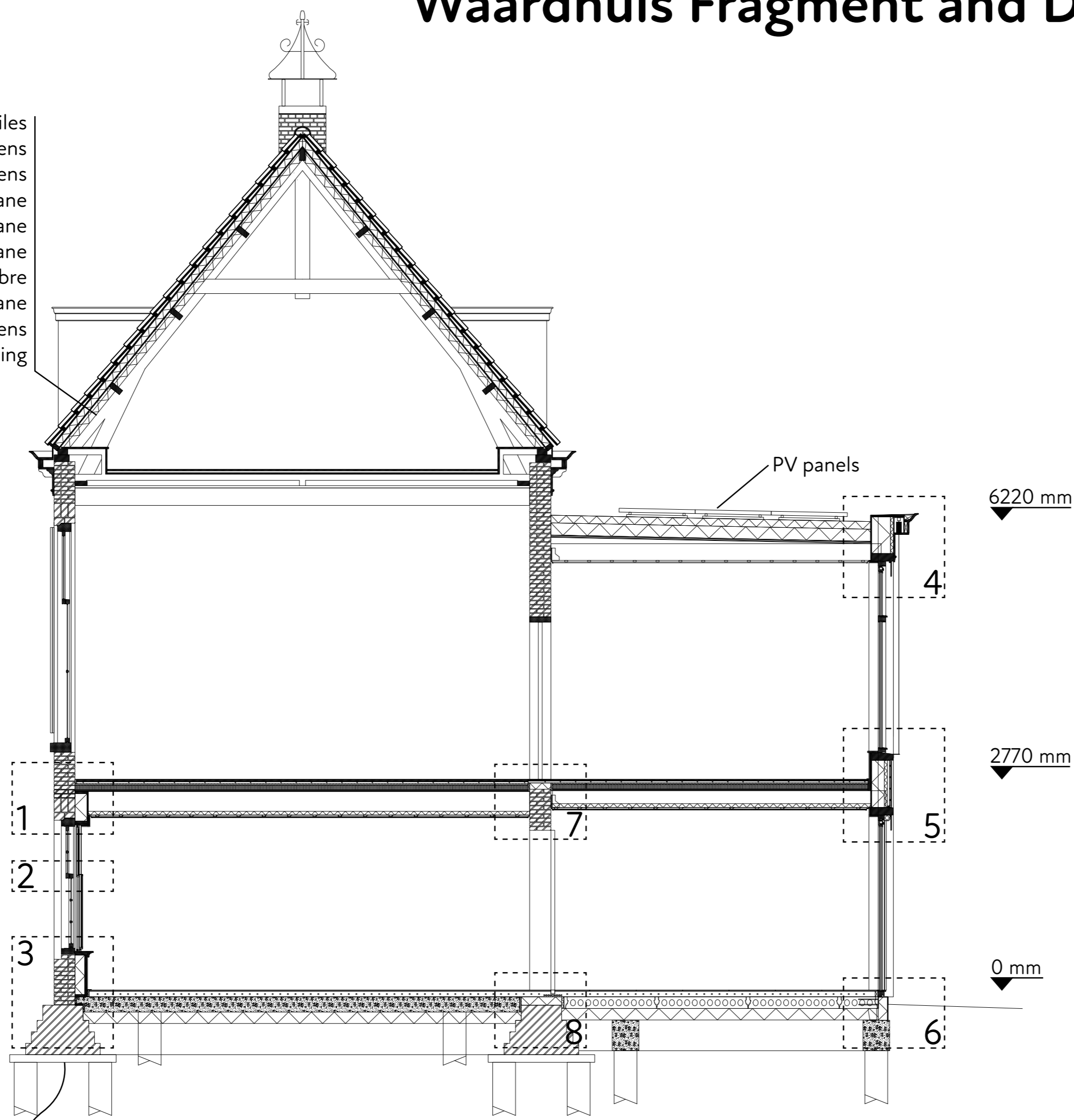


# Waardhuis Fragment and Details

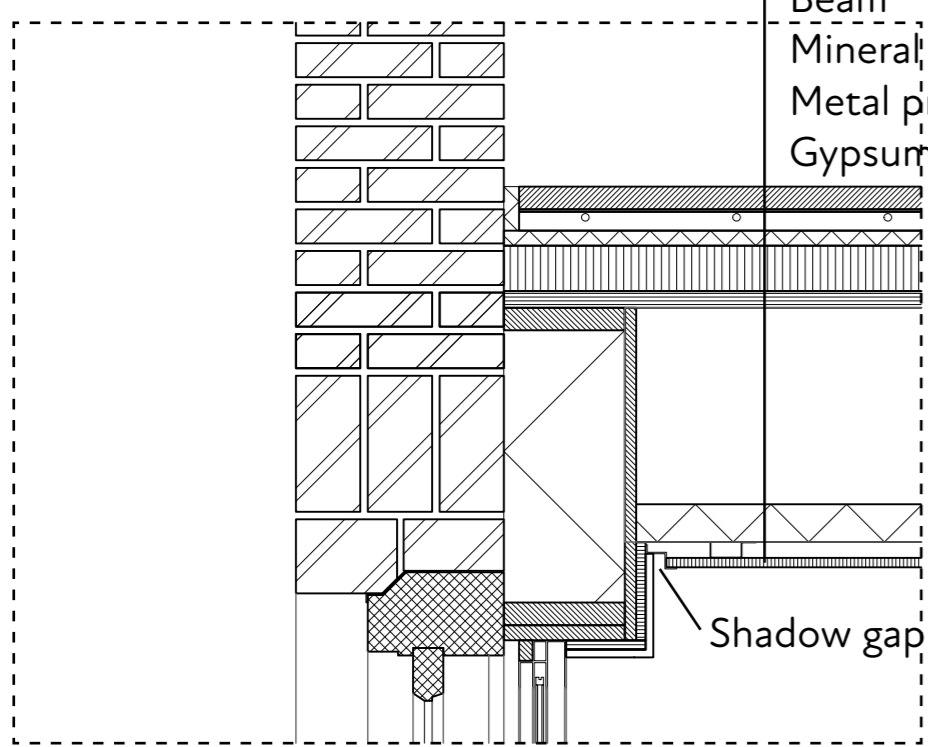
- Rooftiles
- Timber battens
- Timber counter battens
- Existing waterproof membrane
- Existing insulated roof pane
- Existing vapour retarding membrane
- Gutex Thermofibre
- Adaptive vapour retarding membrane
- Battens
- Timber finishing



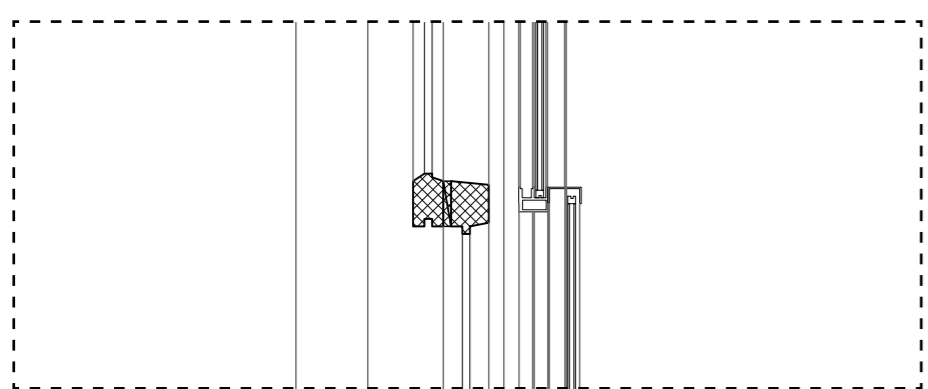
Foundation: assumption based on archival drawings

- EPDM
- Gutex Thermoflat 100 mm
- Gutex Thermoflat 160 mm
- Adaptive vapour retarding membrane
- ESB 22 mm
- Sloping beam
- Timber battens
- Acoustic panels Rigips rigitone 12.5 mm

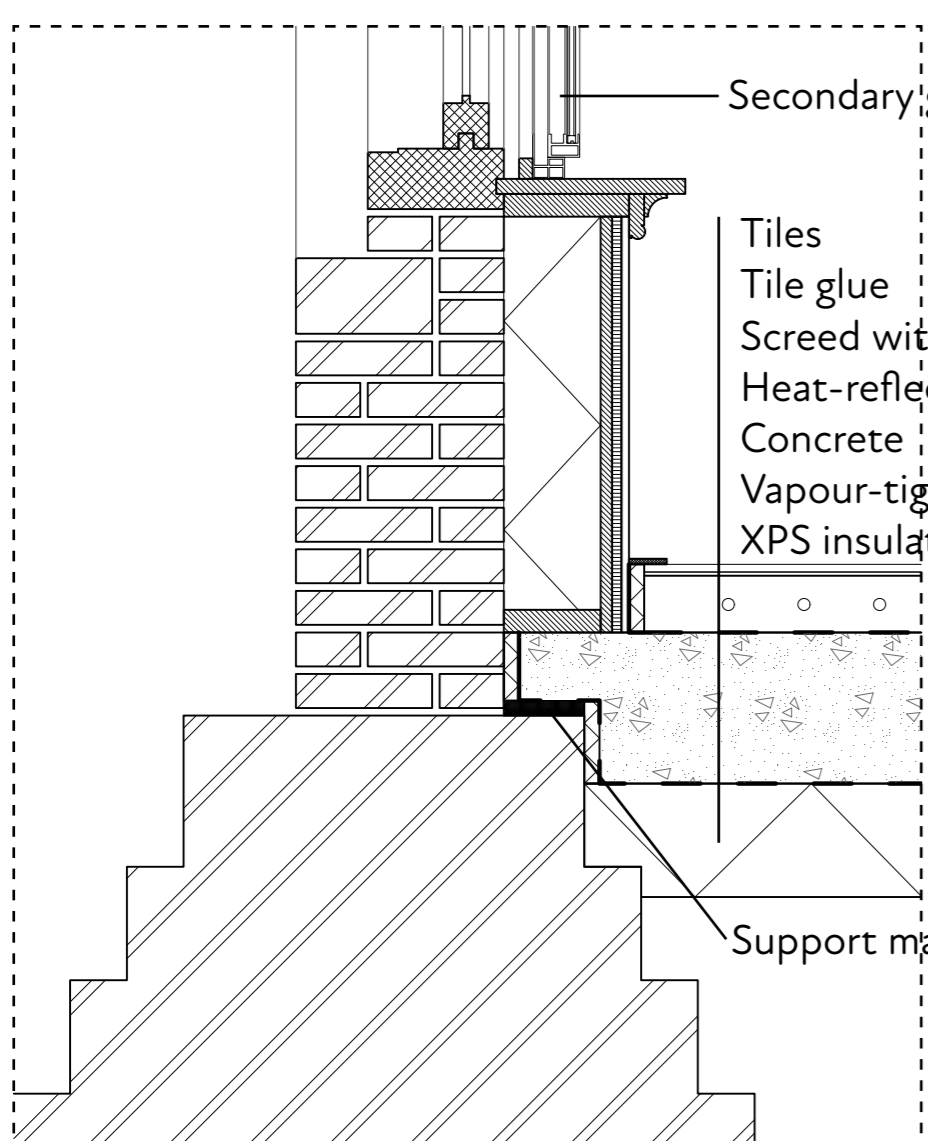
- Timber floorboards
- Rubbersound 3.2 mm
- Fermacell Therm 25 mm with floor heating and cooling
- Mineral wool 20 mm
- Fermacell honeycomb system
- ESB 22 mm
- Beam
- Mineral wool 50 mm
- Metal profiles 'veerregels'
- Gypsum fibre board 12.5 mm



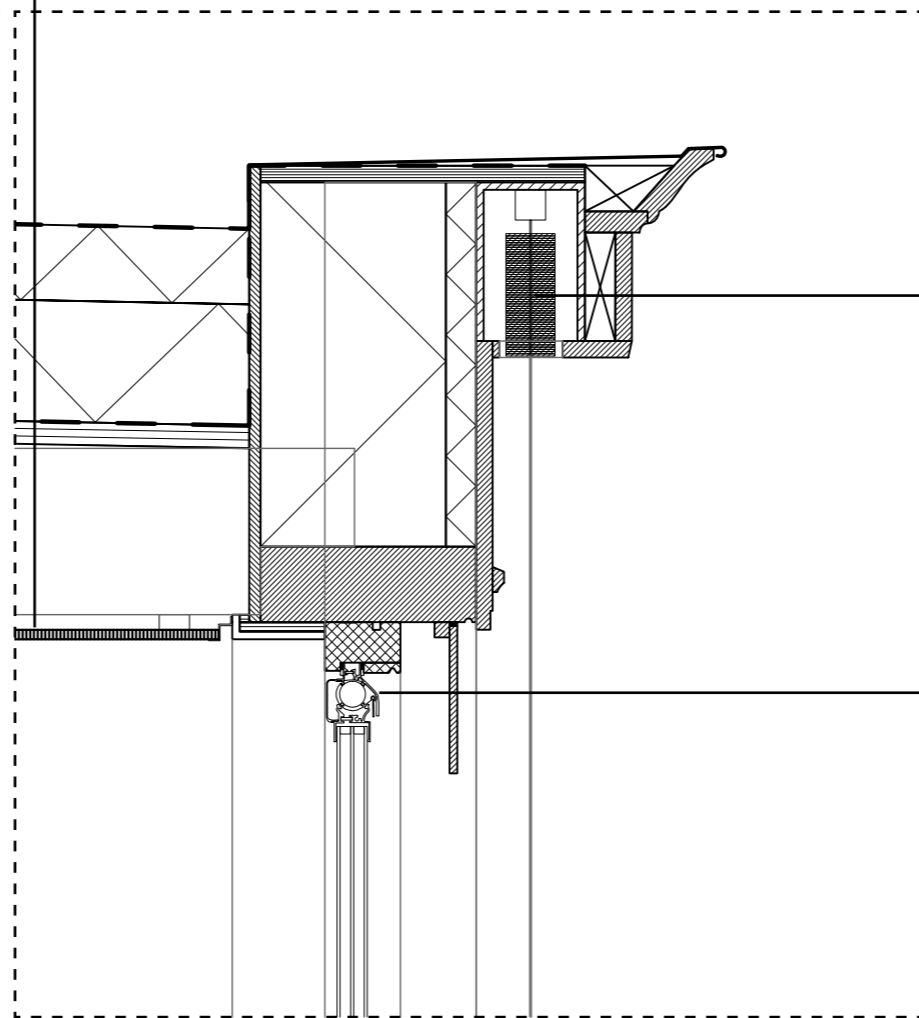
Detail 1 1:10



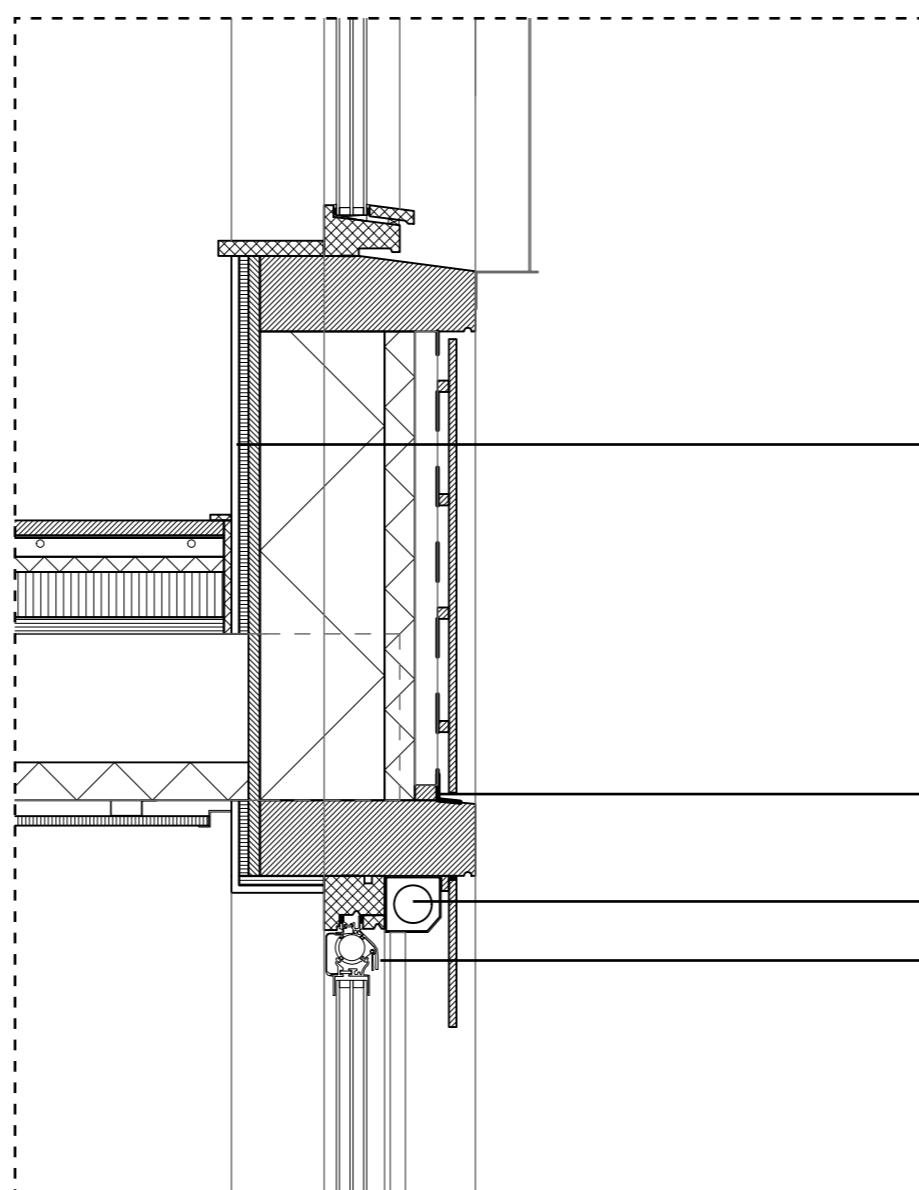
Detail 2 1:10



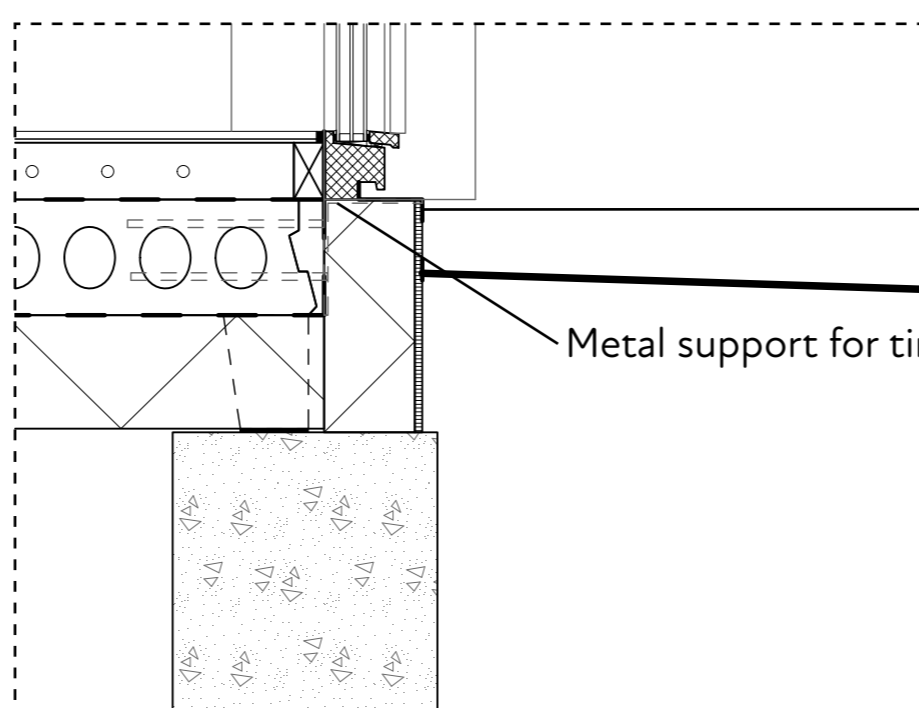
Detail 3 1:10



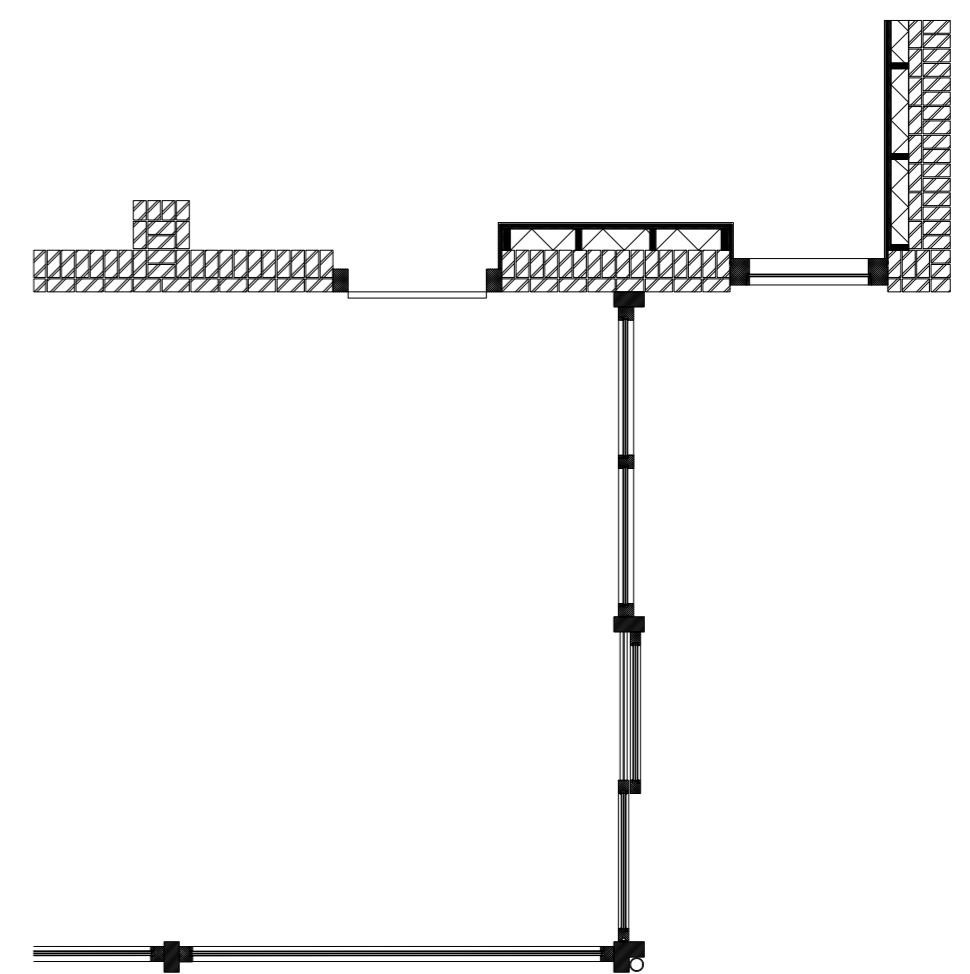
Detail 4 1:10



Detail 5 1:10



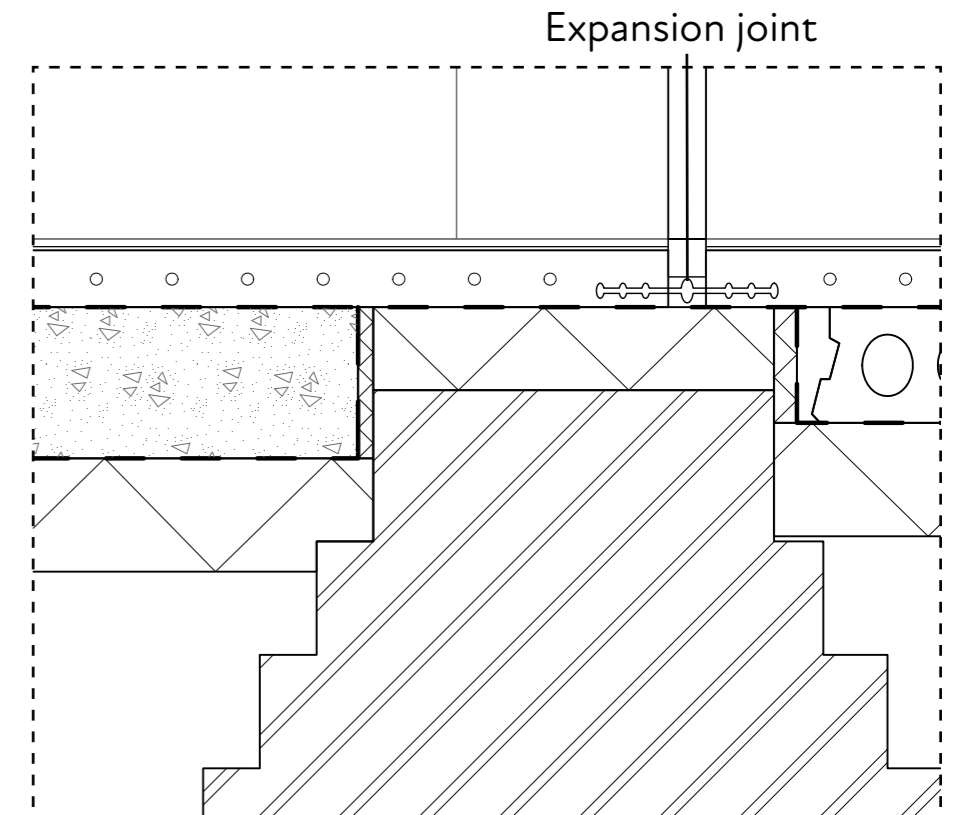
Detail 6 1:10



- Timber floorboards
- Rubbersound 3.2 mm
- Fermacell Therm 25 mm with floor heating and cooling
- XPS insulation
- Existing brick wall

Metal bracket with slotted hole

Detail 7 1:10



Detail 8 1:10